

## GXL-GH02-120 Glass Door Gravity Hinge

### Features

- Stainless steel construction suitable for shower doors
- Glass hinge with self-closing features
- Door close automatically up to opening angle 170°
- Door stay open beyond 170°
- Door moves up max. 5 mm at opening angle 90° or max. 10 mm at 170°

### Material

- Stainless steel 304, mirror finish

### Notes

- Sold in pairs

### Parts Included

- Hexagon socket countersunk head screw M6×14 (SUS)
- Screw M5×16 (SUS)

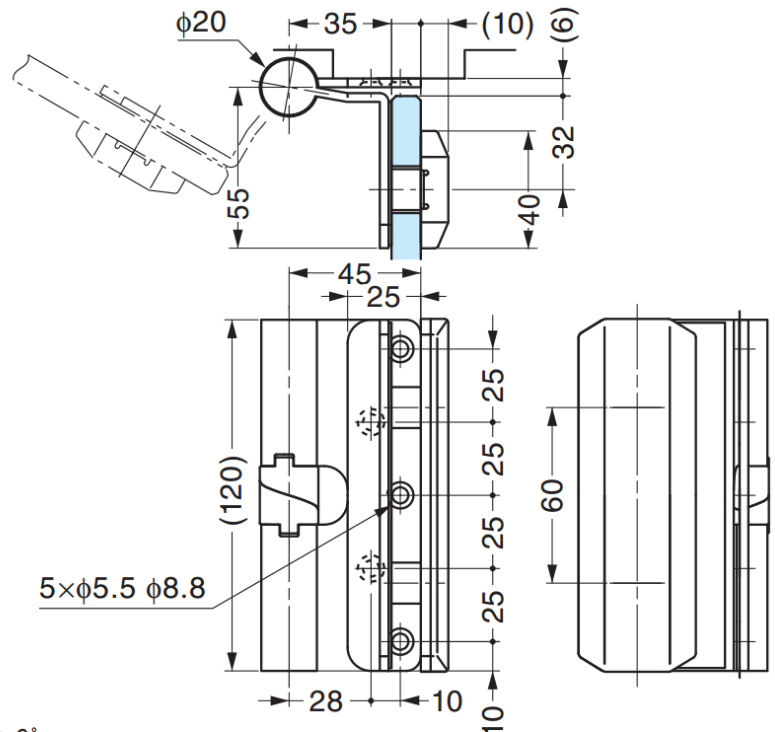
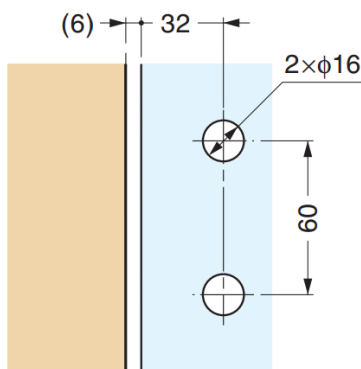
Back Side View



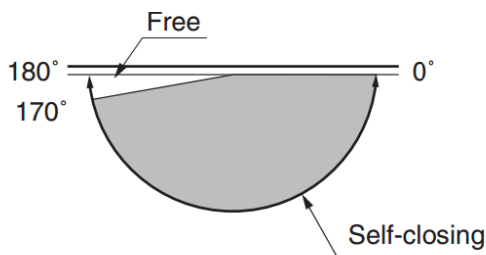
GXL-GH02-120L



GXL-GH02-120R



Left-hand opening shown.



| Part No.      | Type  | Door Width | Door Height | Glass Thickness | Door Weight       |
|---------------|-------|------------|-------------|-----------------|-------------------|
| GXL-GH02-120R | Right | Max. 750   | Max. 2000   | 10, 12          | Max. 45 kg / pair |
| GXL-GH02-120L | Left  |            |             |                 |                   |